

/

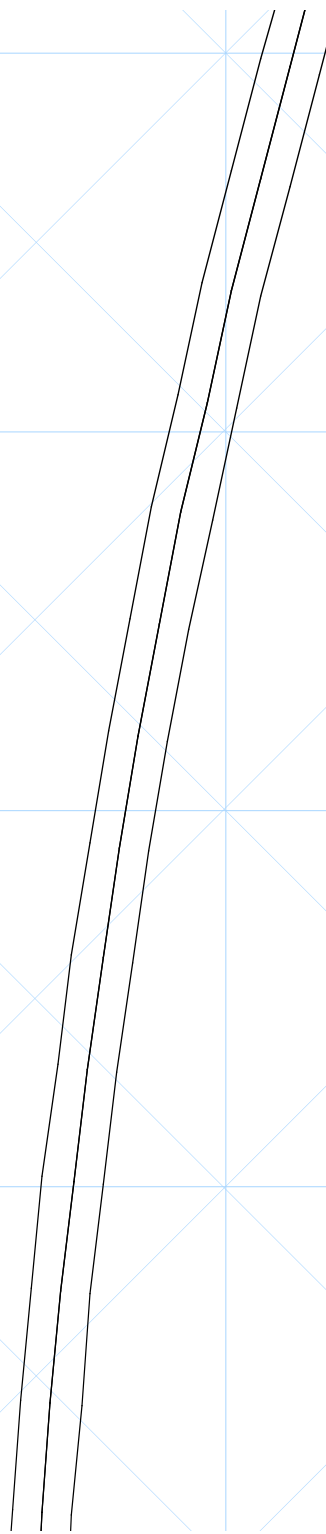
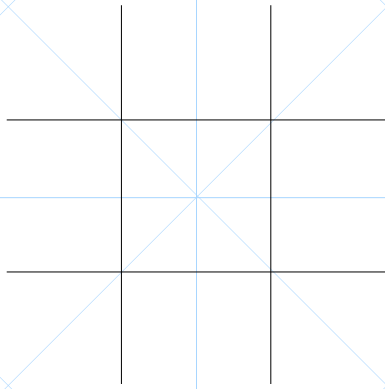
Handwritten black lines in the bottom-left corner, including a long diagonal line and several shorter lines forming a scribble.



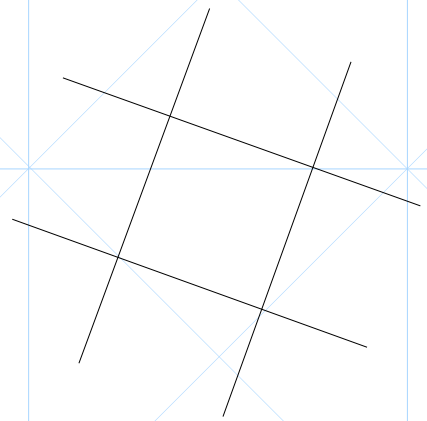




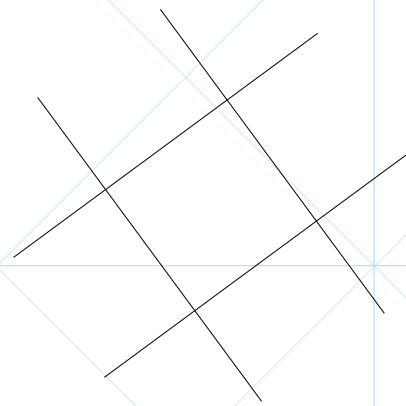
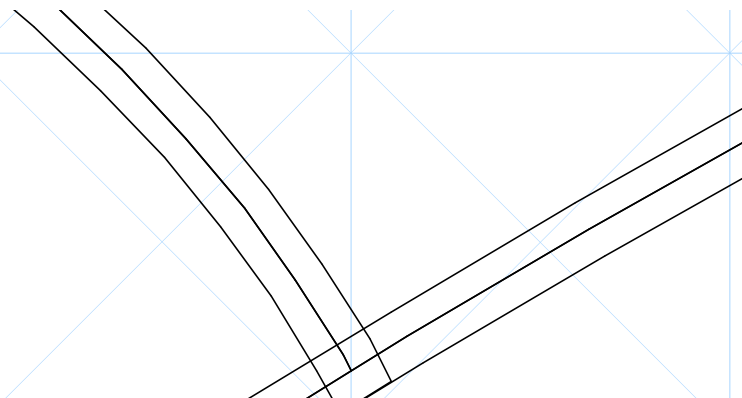
2



1

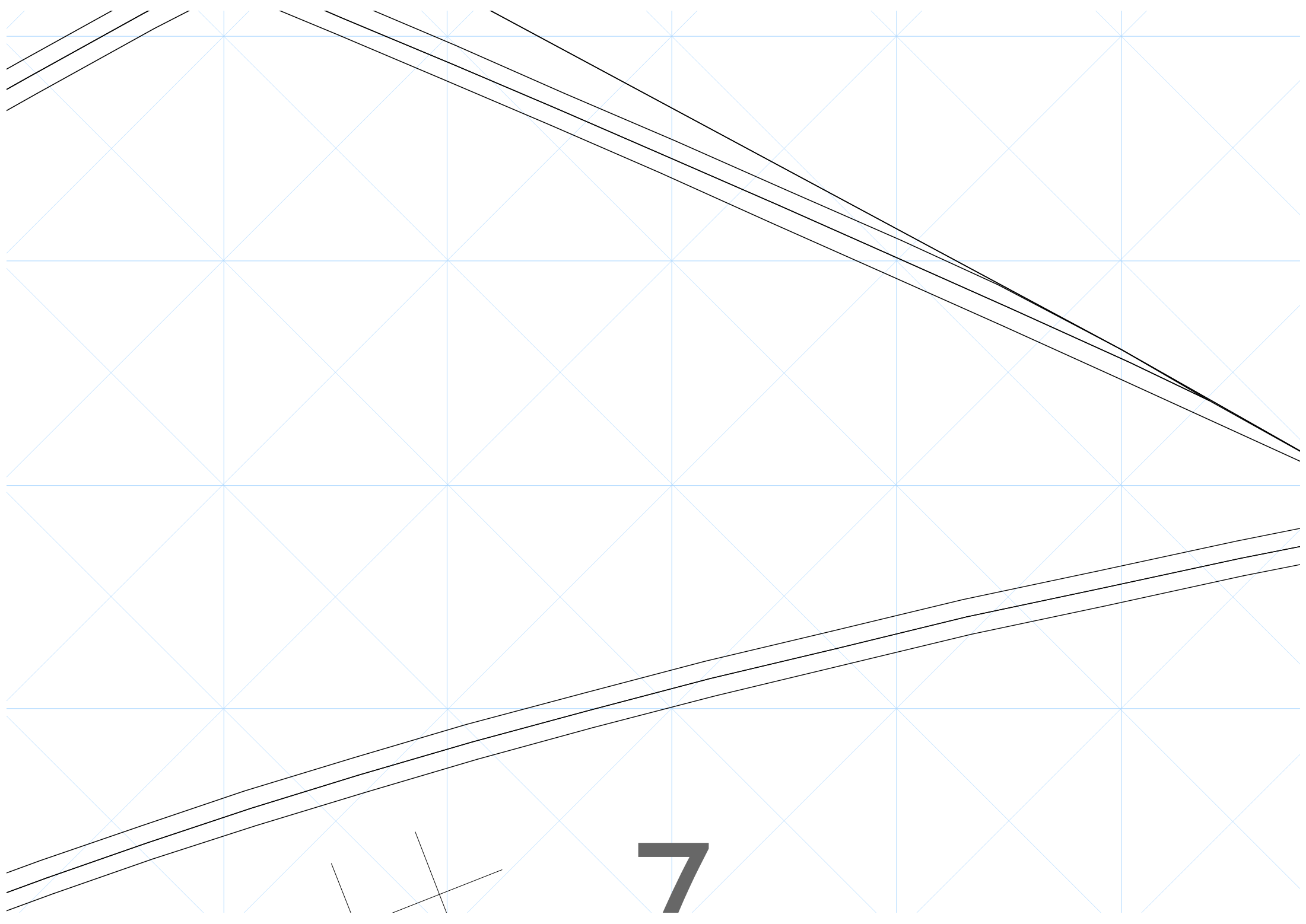


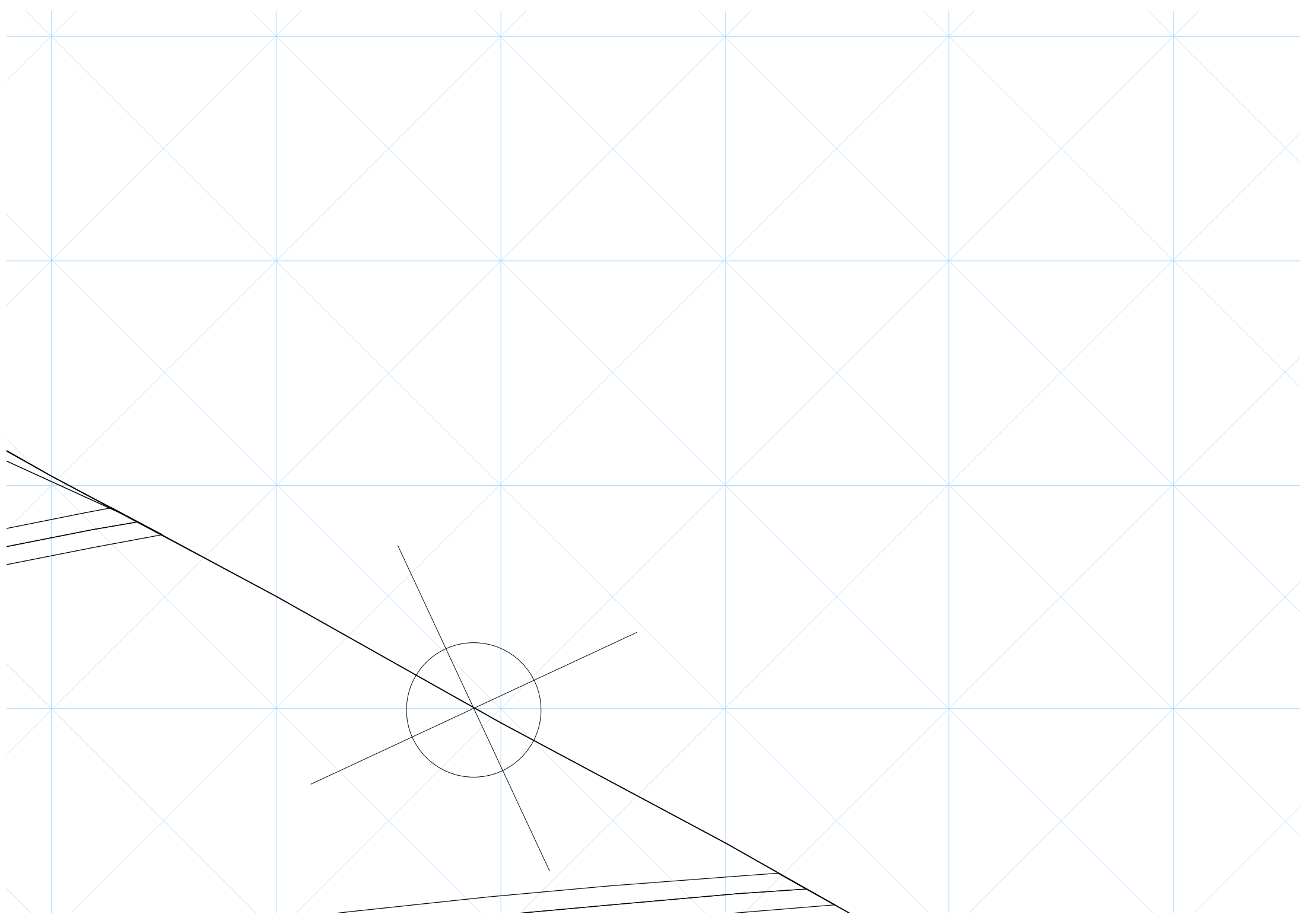
5



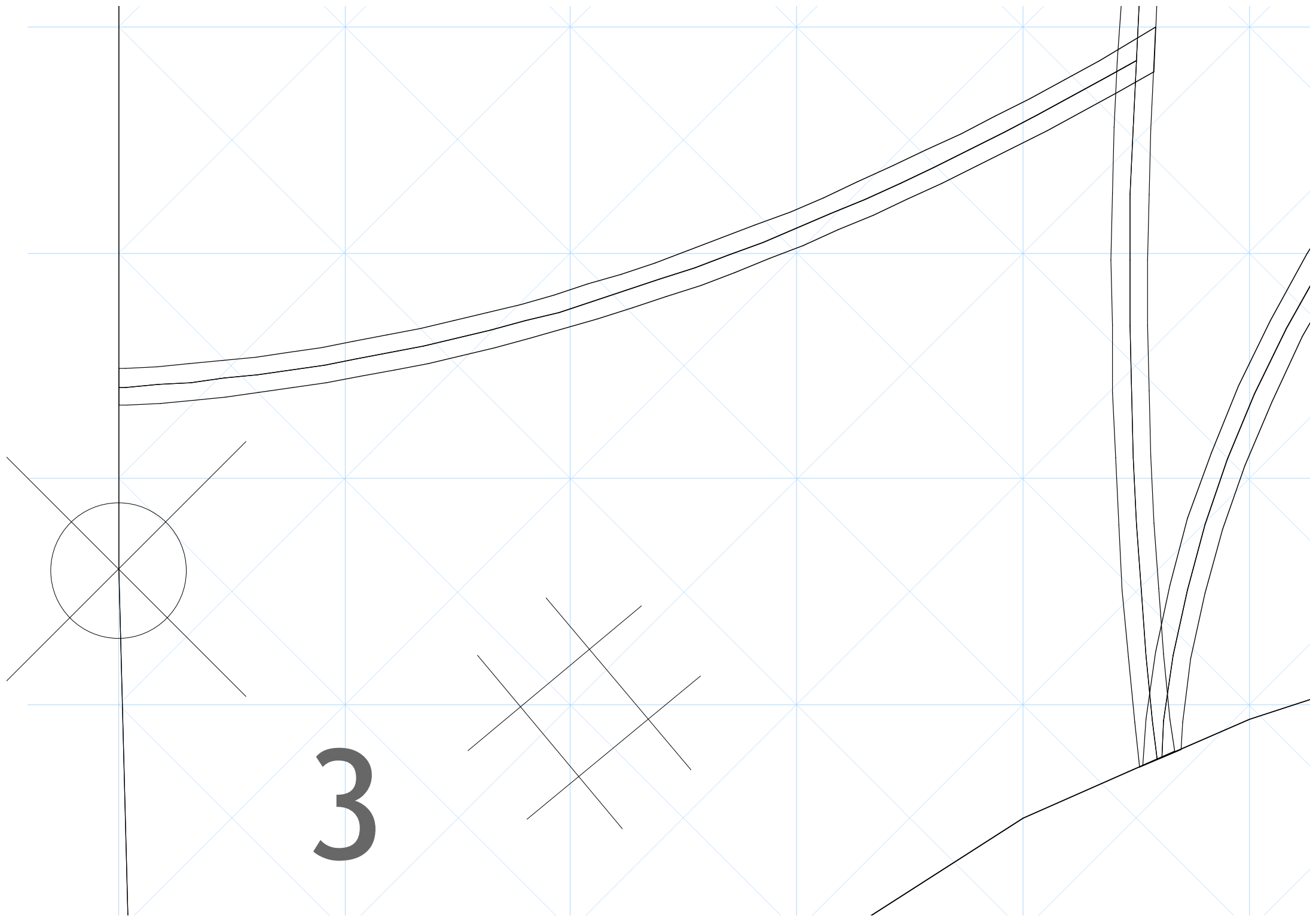
6

1

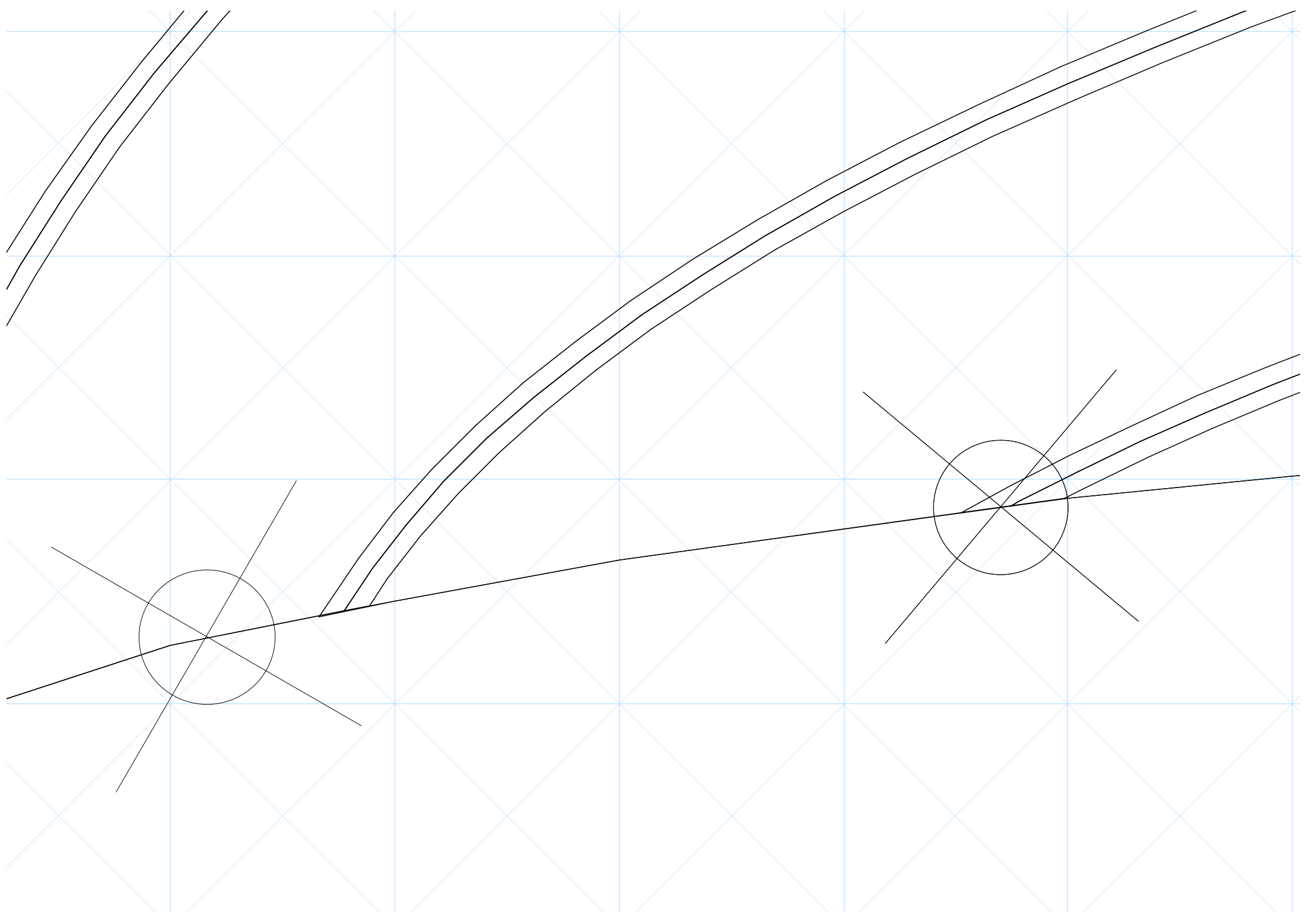


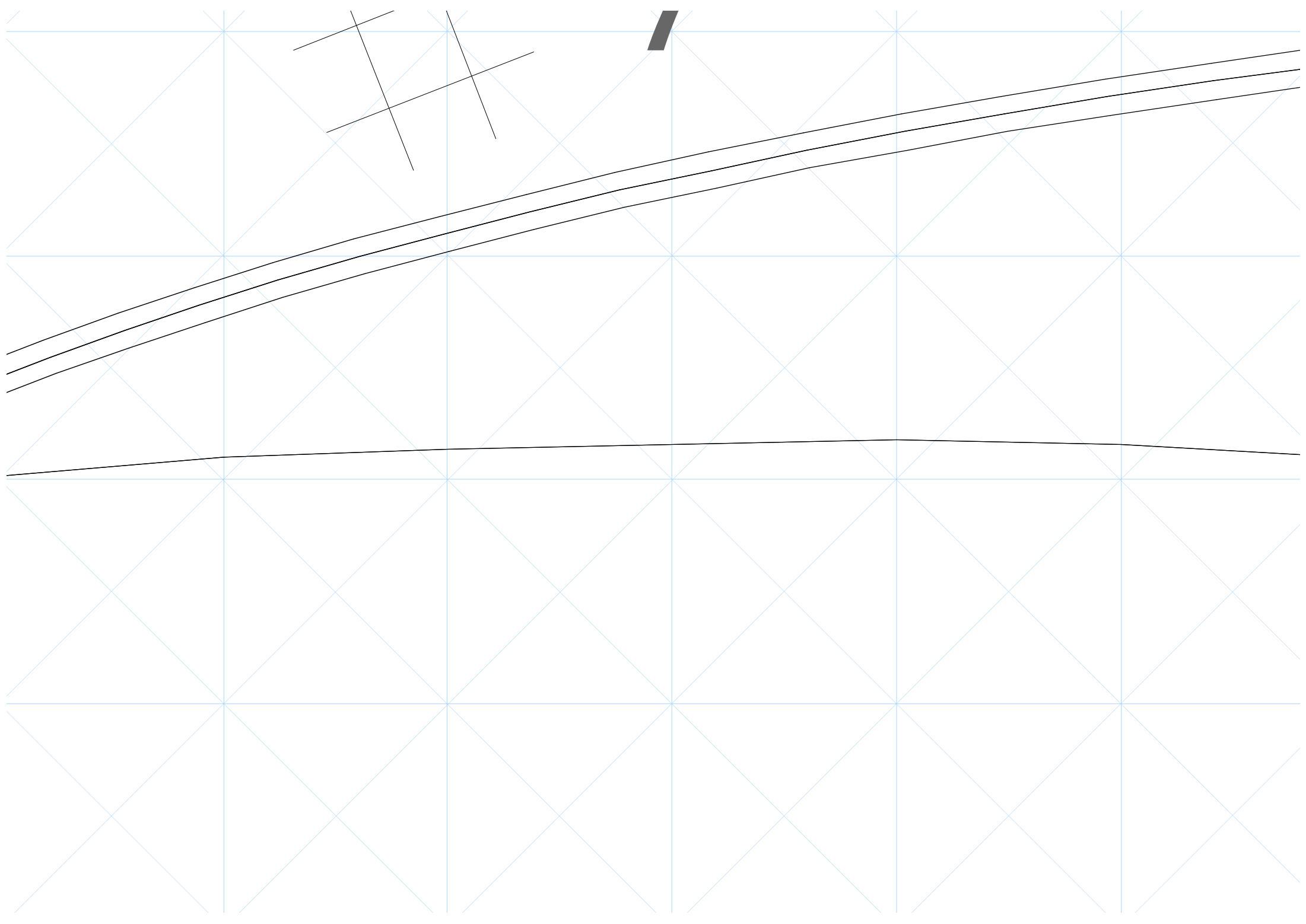


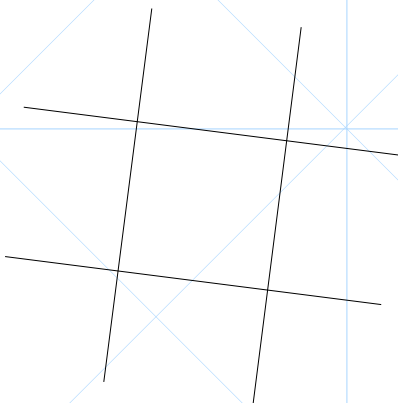


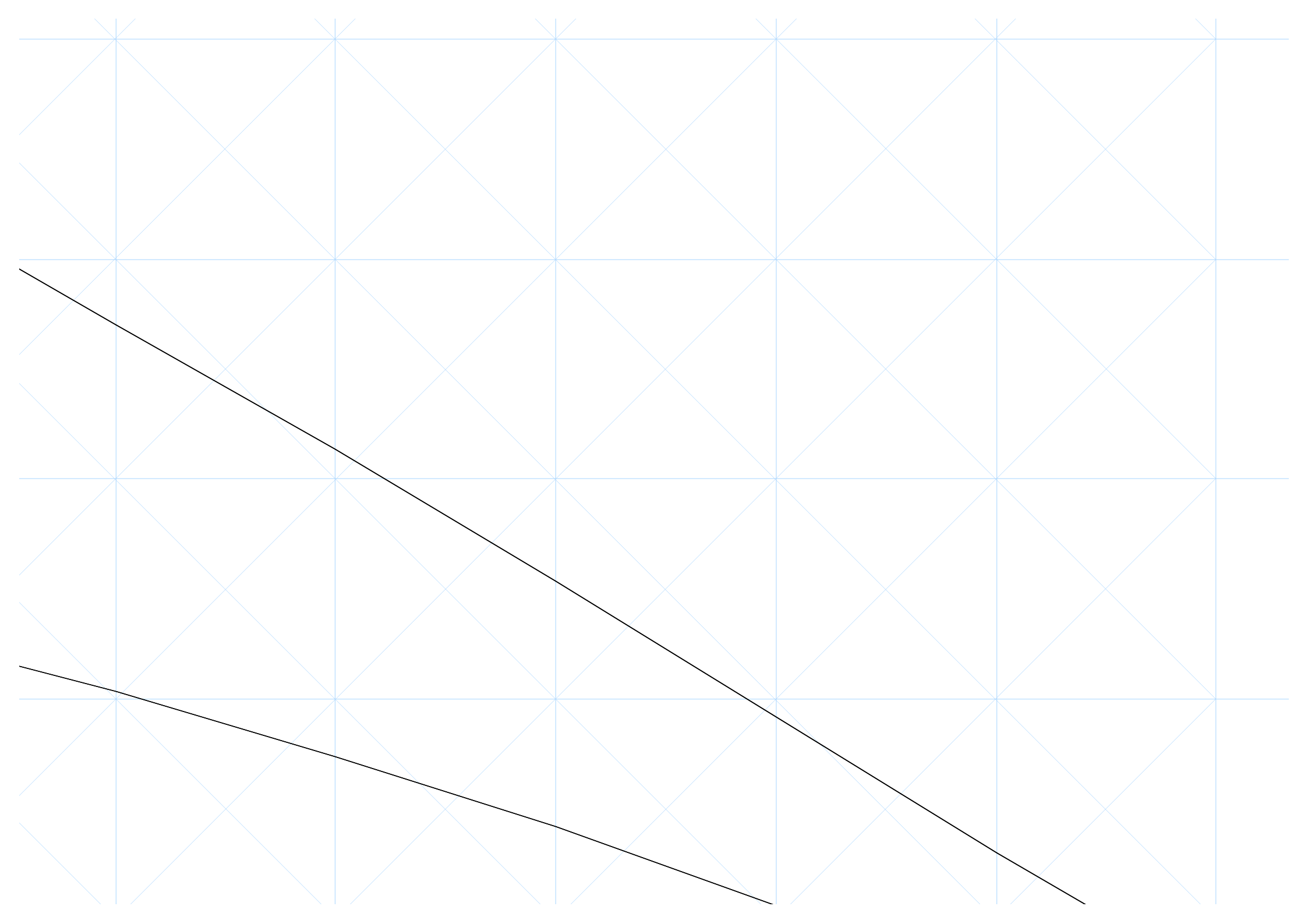


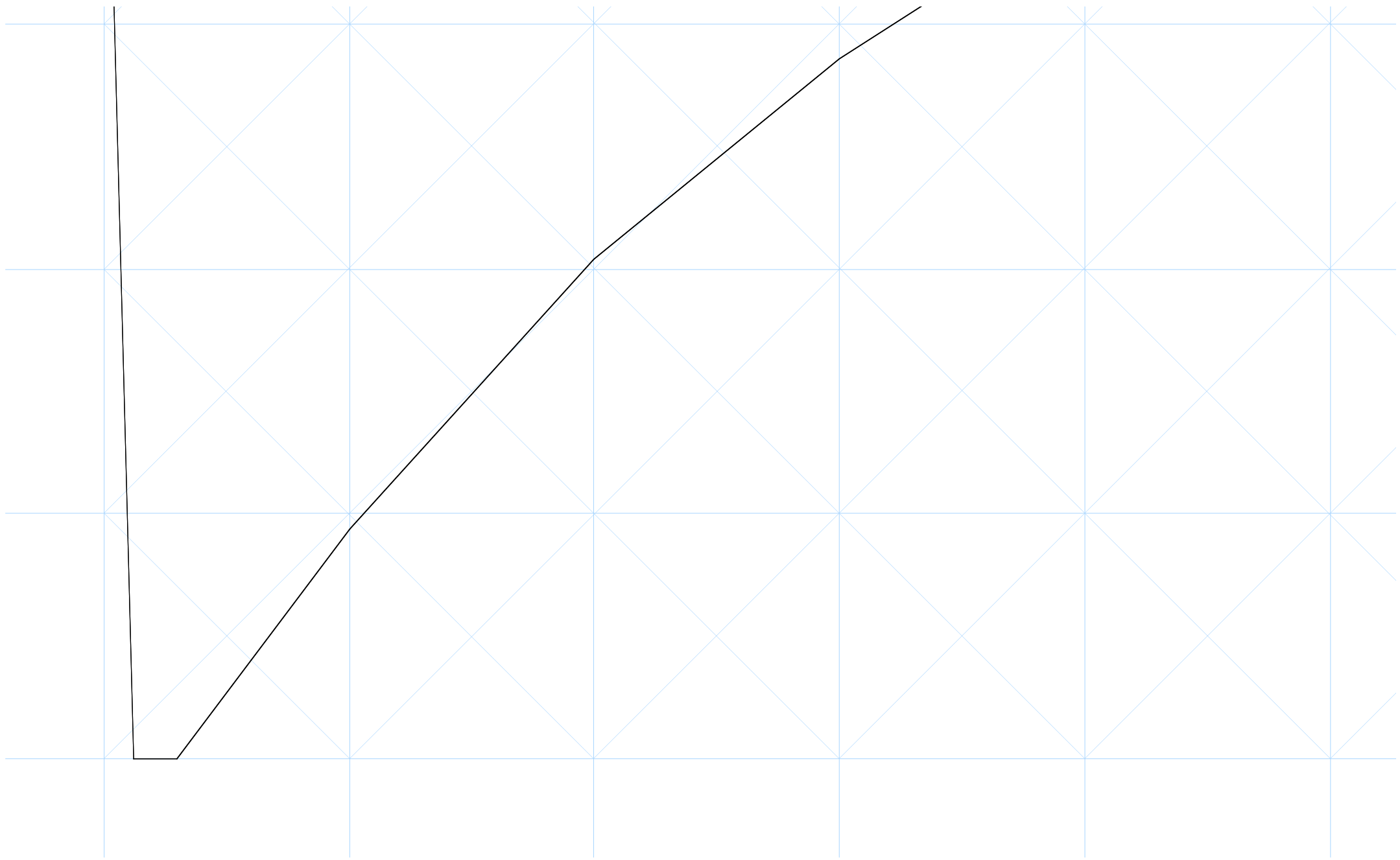






A large, dark gray handwritten number '8' is centered on the left side of the page. The background is a light blue grid with diagonal lines forming a diamond pattern. The number is composed of two loops, one above and one below a central horizontal bar.A large, dark gray handwritten hash symbol '#' is centered on the right side of the page. It consists of two parallel vertical lines intersected by two parallel horizontal lines. The background is a light blue grid with diagonal lines forming a diamond pattern.





50

